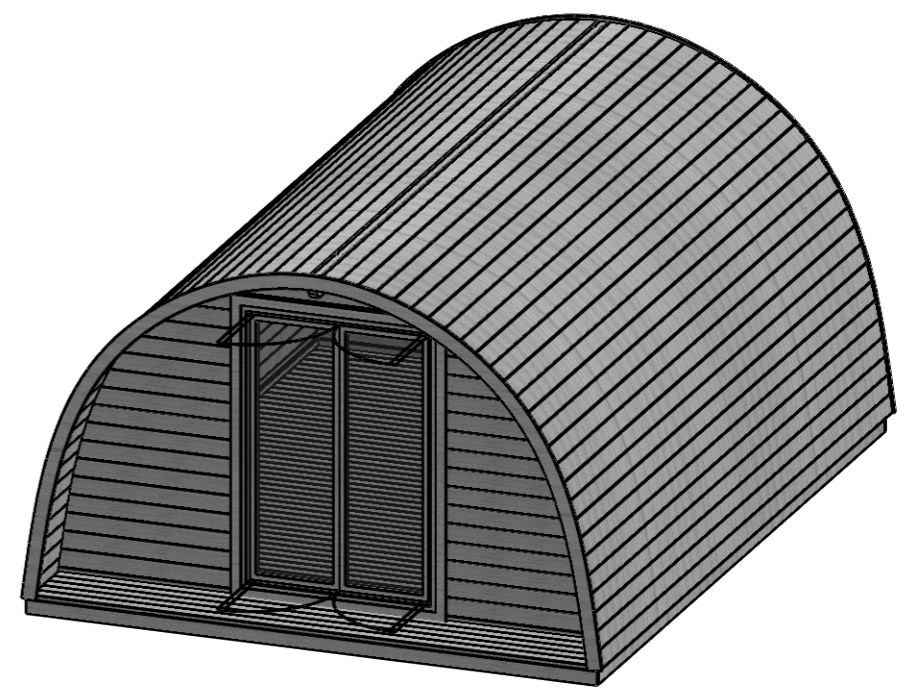
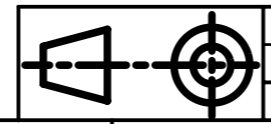


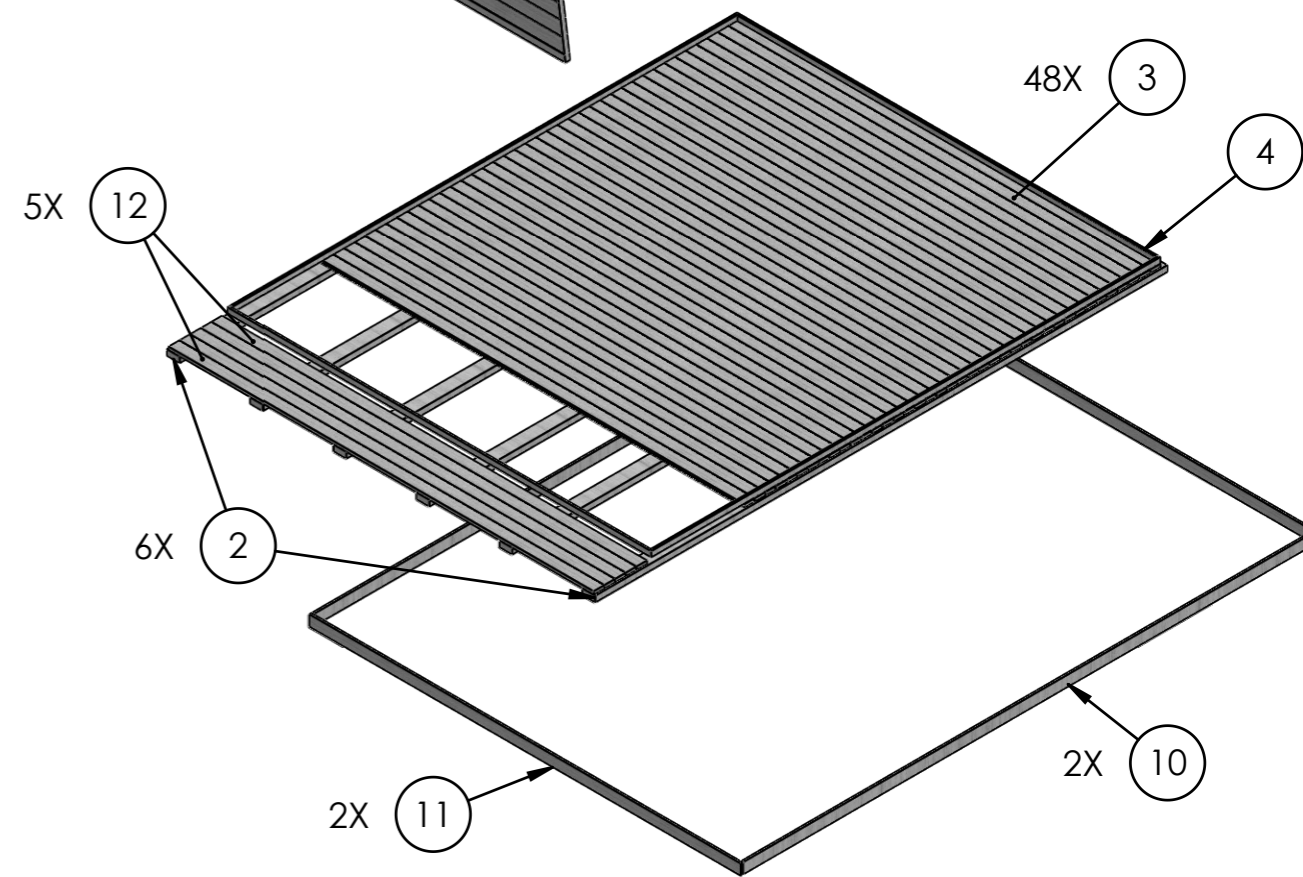
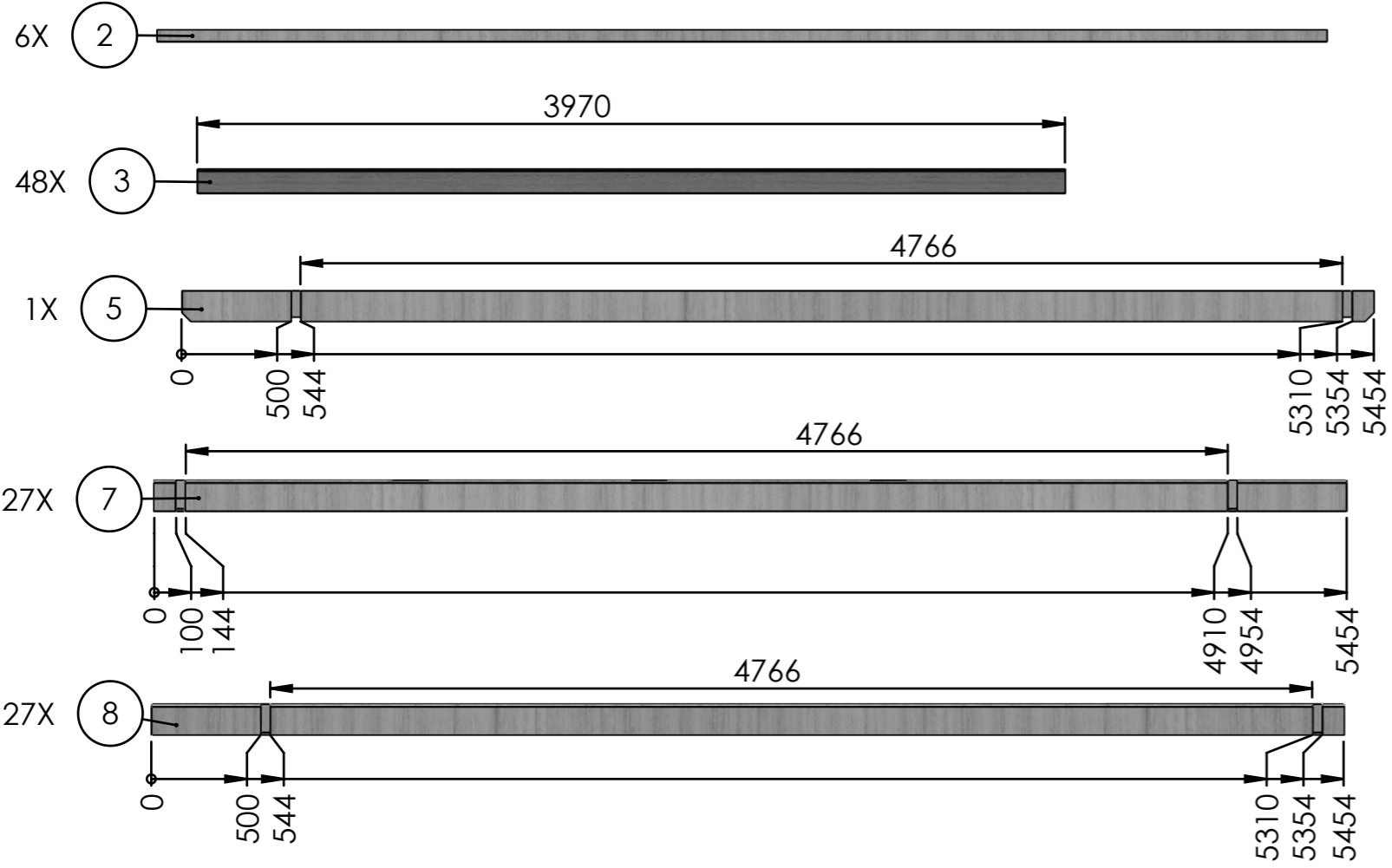
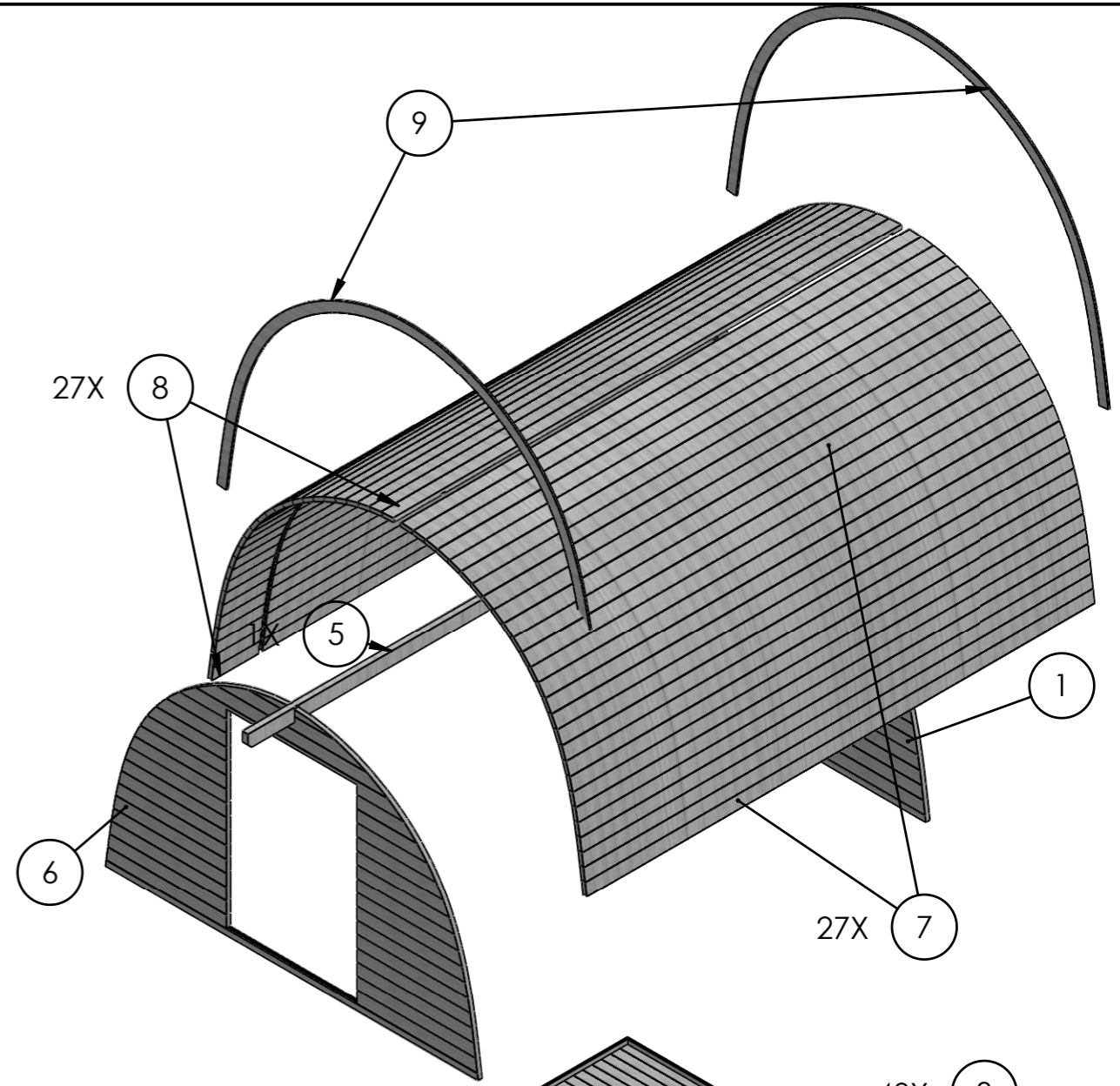
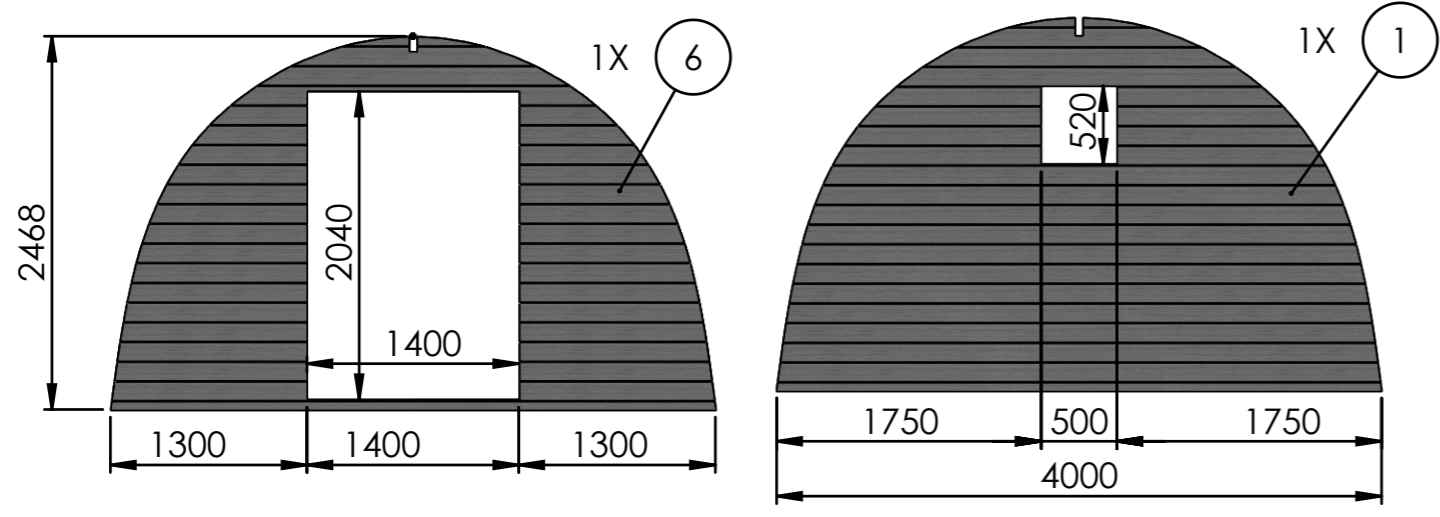
ITEM NO.	DESCRIPTION	QTY.
13	DOOR 1980x1380	1
14	WINDOW 480x480	1
15		1



Date
2019-11-05

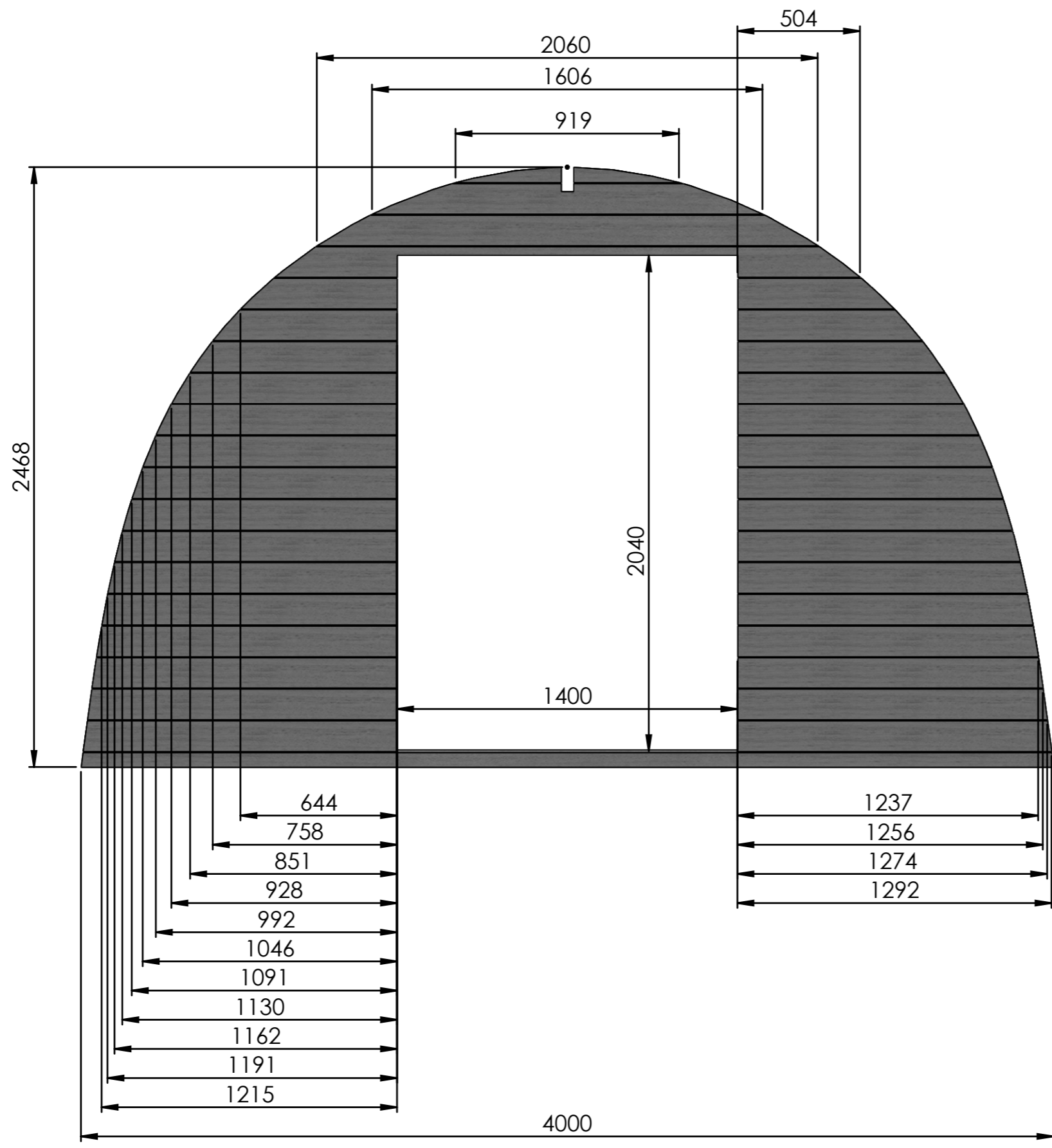


ITEM NO.	QTY.	DESCRIPTION	LENGTH
1	1	SIDE BEAM	0
2	6	FLOOR JOINTS 55x120	5354
3	48	FLOORBOARD 28x100	3970
4	1	PLINTH 19x50	17450
5	1	RAFTERS 60x140	5454
6	1	SIDE BEAM	0
7	27	SIDE BEAM 130x41	5454
8	27	SIDE BEAM 130x41	5454
9	2	WINDBOARD	
10	2	WINDBOARD 19x100	5354
11	2	WINDBOARD 19x100	4038
12	5	VERANDA BOARD 28x100	3970

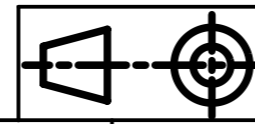


Date 2019-11-05

3031018886



Date	2019-11-05
	3031018886



Sheet 3-4	Date
-----------	------

2020-02-17
10:19:43

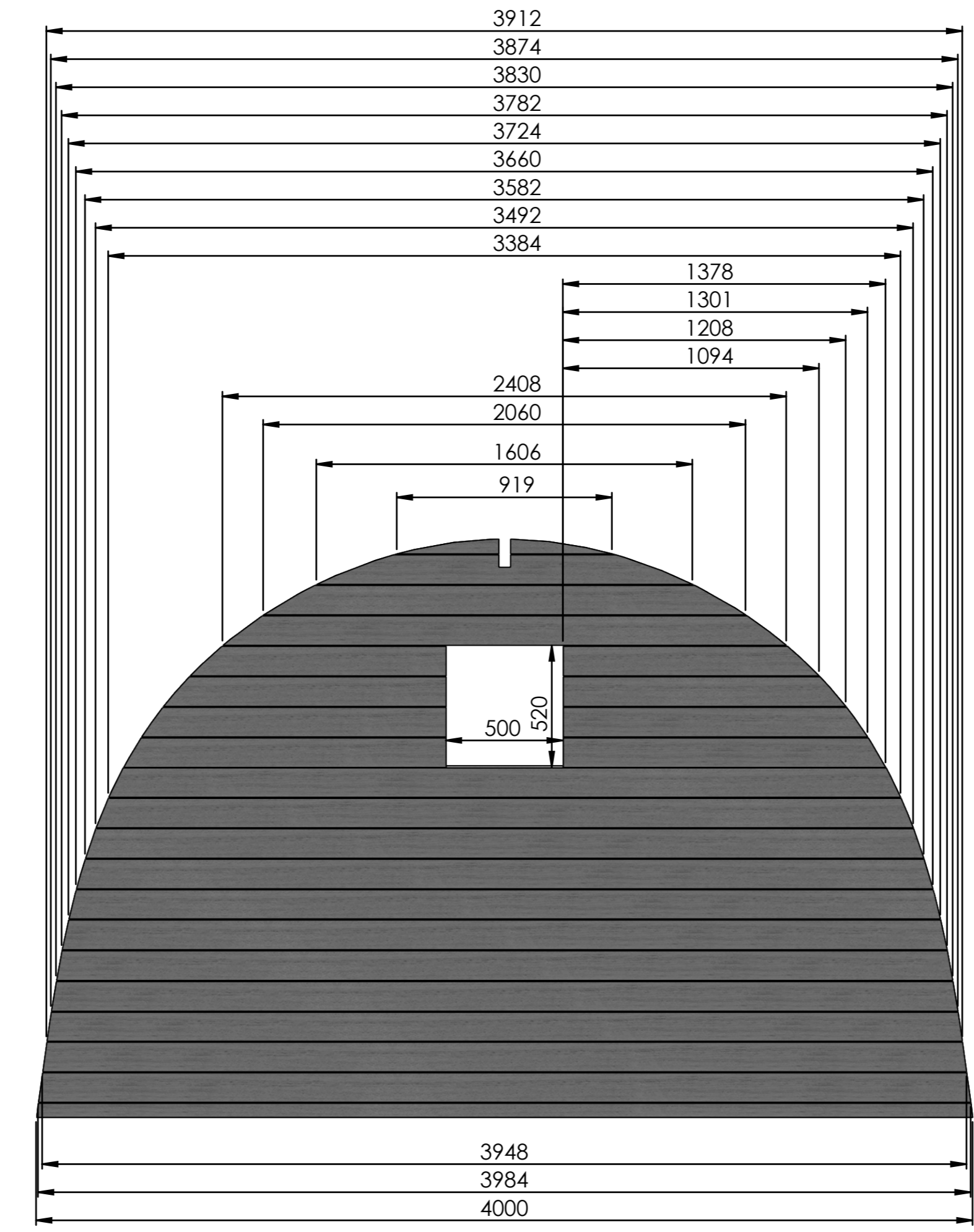
R2166PL_44

Sheet3

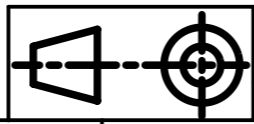
A

2

1



Date	2019-11-05
	3031018886



Sheet 4-4

2020-02-17
10:19:43

Date

R2166PL_44

Sheet4

A3