

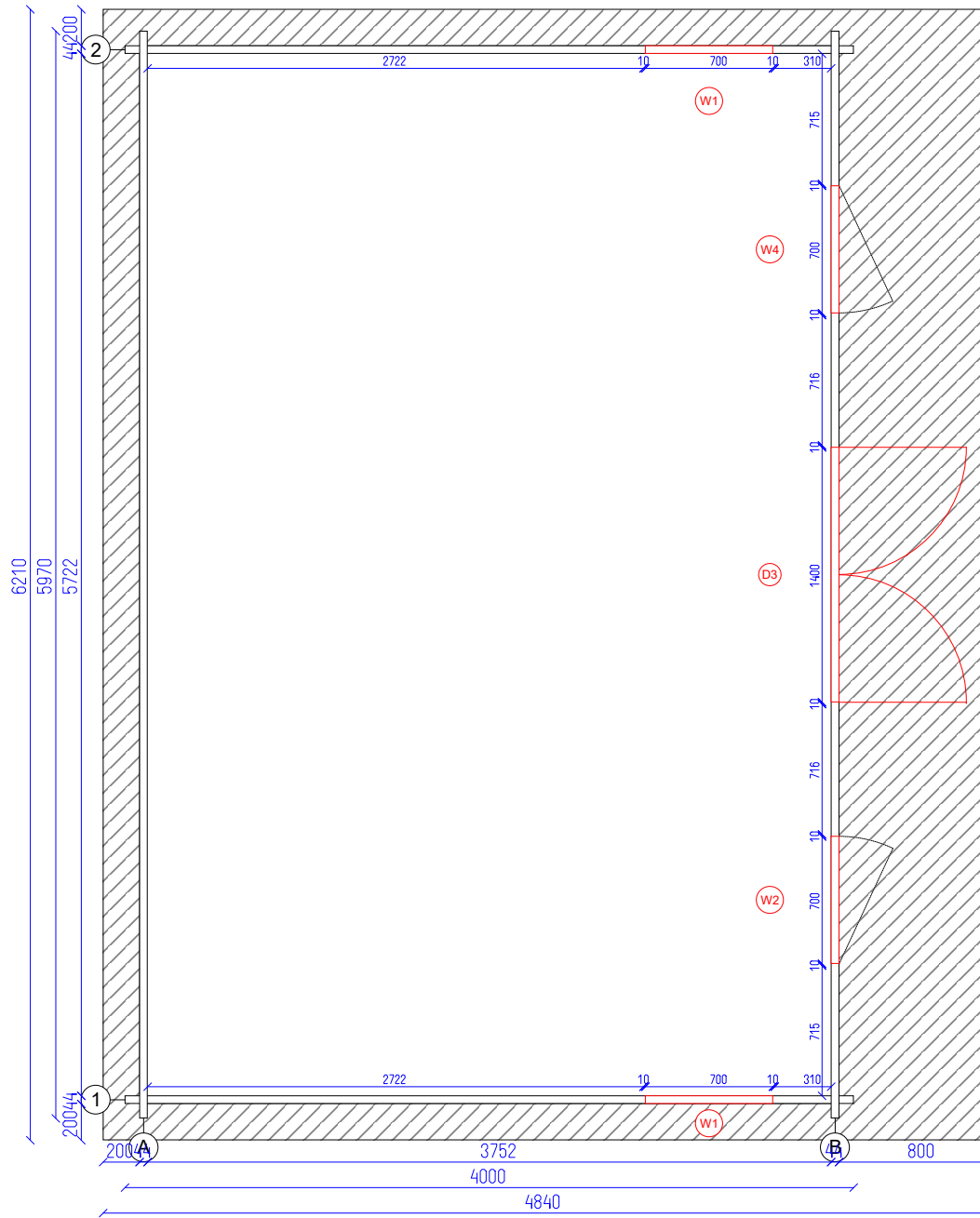


Neviso 6x4 44

GYT

1
SHEET

7
OF



Neviso 6x4 44

Ground plan

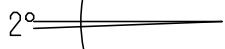
GYT

2

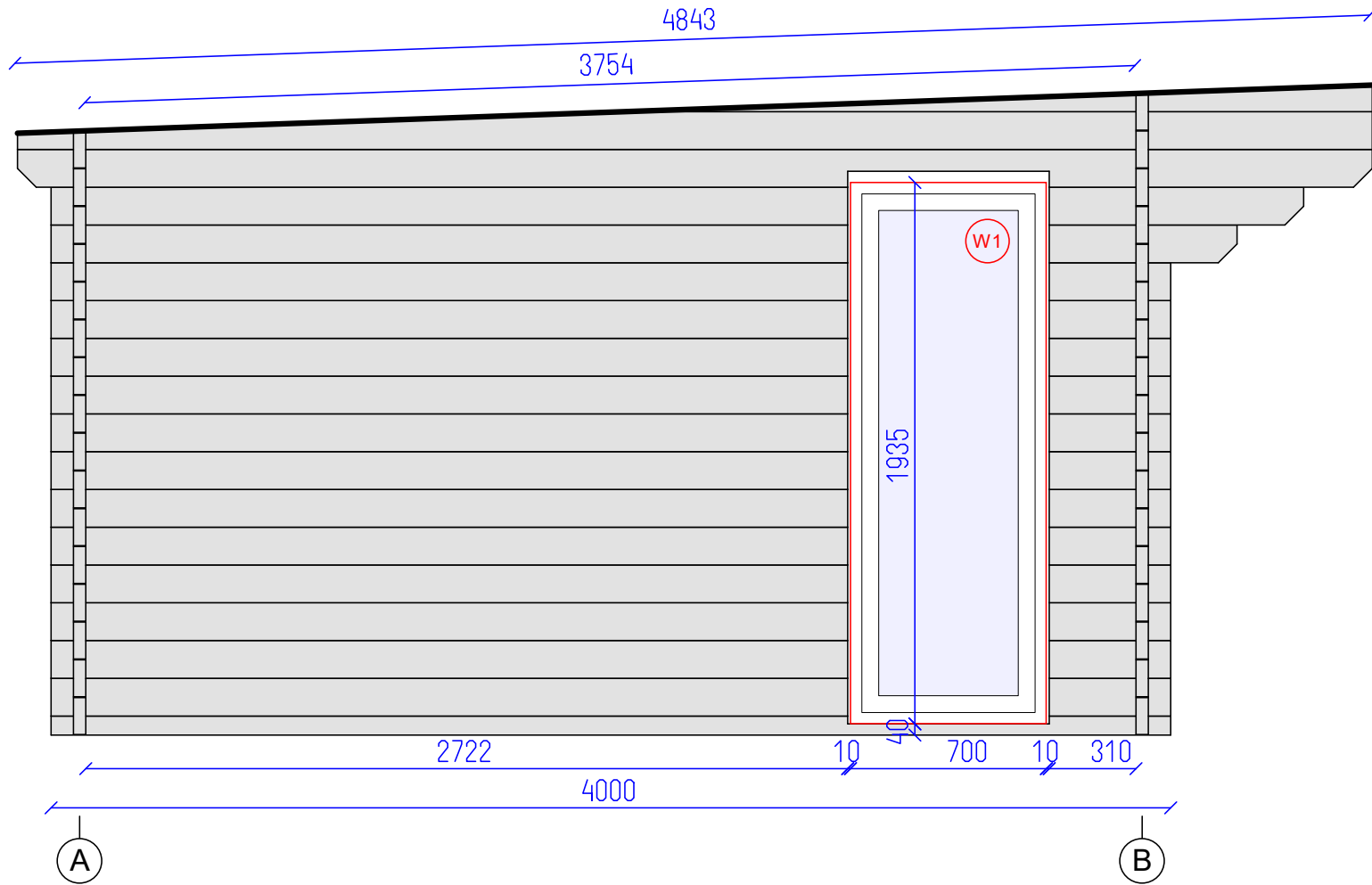
SHEET

7

OF



2367
2160

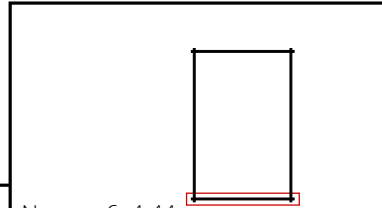


DETAILS

N	QTY
1	1
2	14
3	12
4	1
5	1
6	1
7	1
8	1

LIST OF ELEMENTS

1. Wall 68x44x4000
 2. Wall 135x44x2846
 3. Wall 135x44x434
 4. Wall 135x44x671
 5. Wall 135x44x909
 6. Wall 135x44x4840
 7. Wall 135x44x4840
 8. Wall 95x44x2673
- Total 8.13 m²



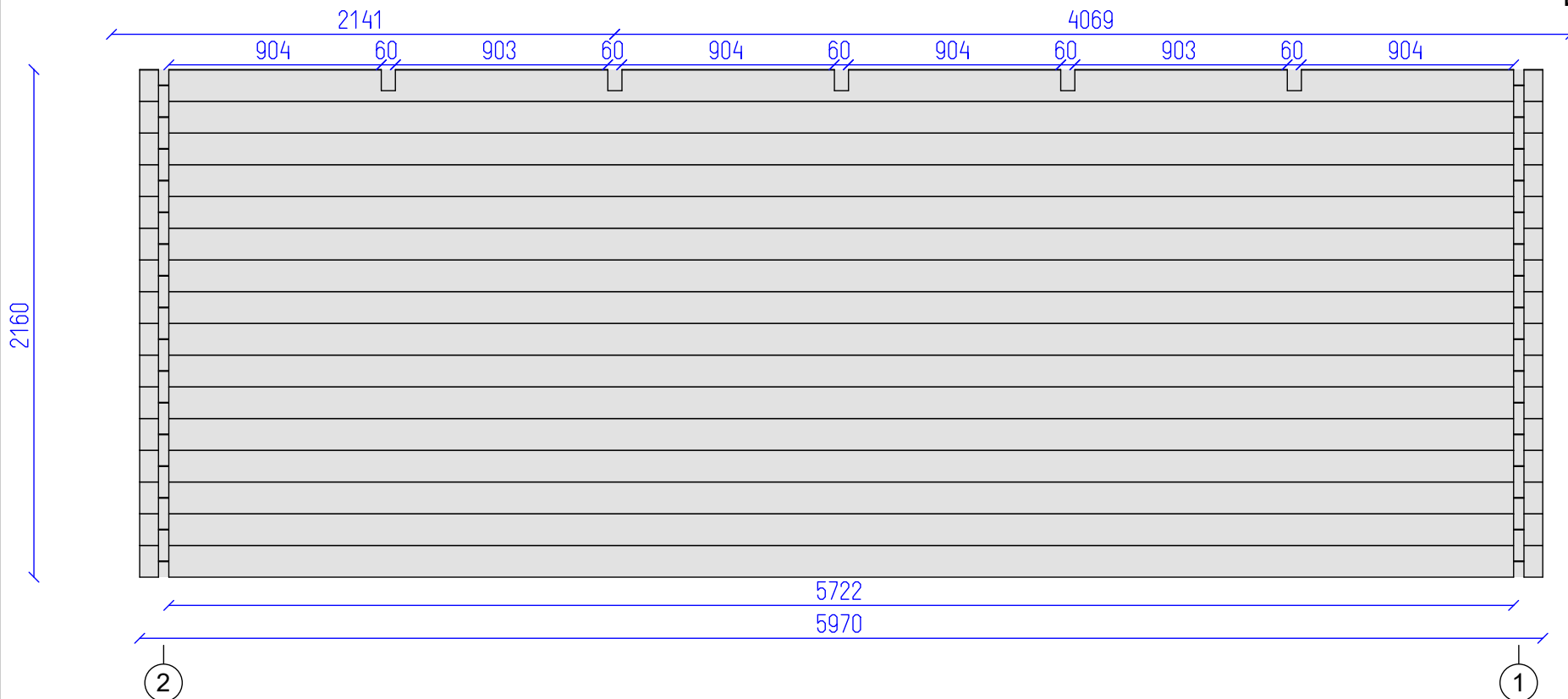
Neviso 6x4 44

DETAILS

N	QTY
9	15
10	1
17	5

LIST OF ELEMENTS

9. Wall 135x44x5970
 10. Wall 135x44x5970
 17. Roof beam 140x70x4847
 Total 16.29 m²



Neviso 6x4 44

Wall A

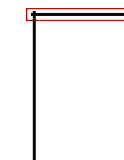
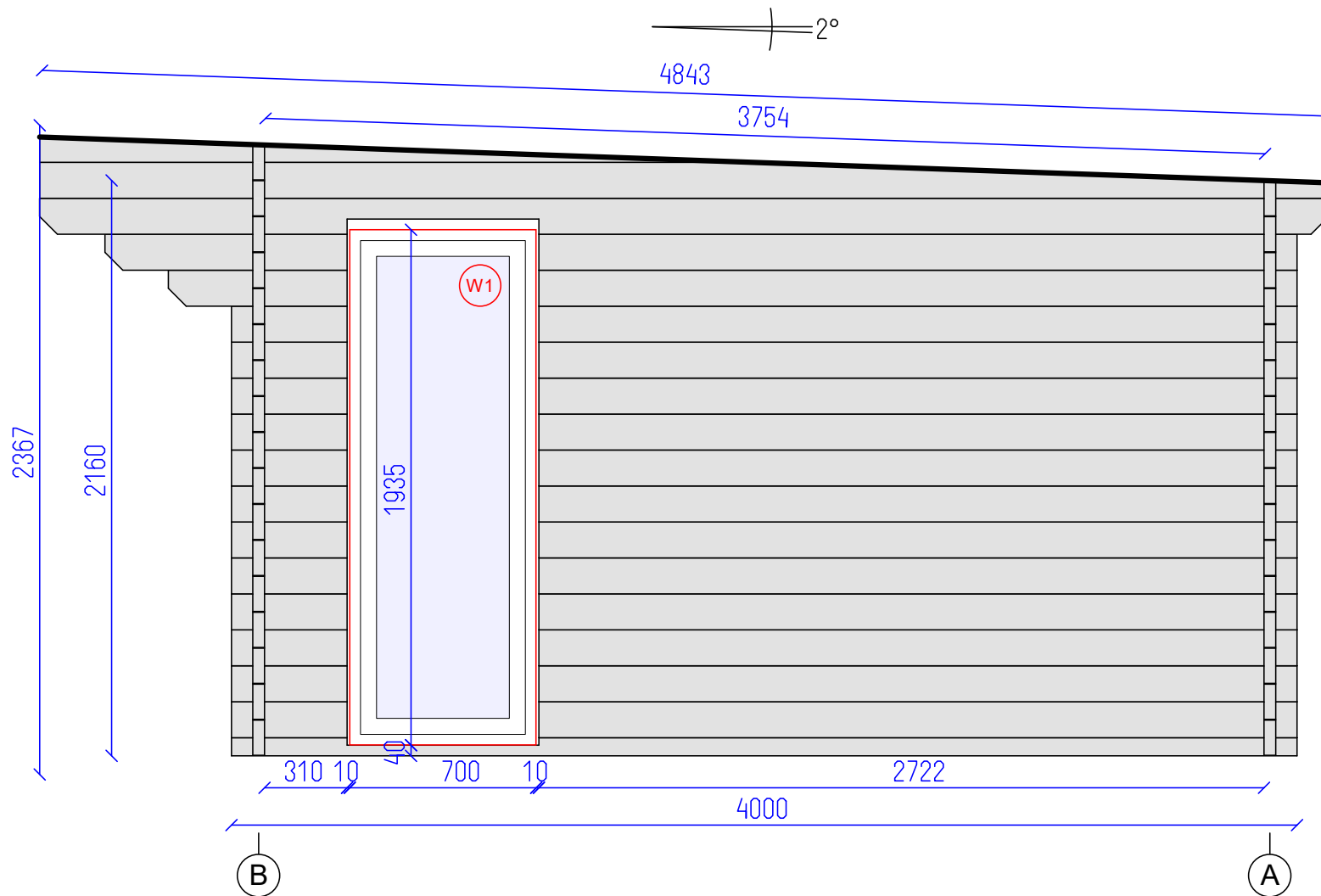
GYT	4	7
	SHEET	OF

DETAILS

N	QTY
1	1
2	14
3	12
4	1
5	1
6	1
7	1
8	1

LIST OF ELEMENTS

1. Wall 68x44x4000
 2. Wall 135x44x2846
 3. Wall 135x44x434
 4. Wall 135x44x671
 5. Wall 135x44x909
 6. Wall 135x44x4840
 7. Wall 135x44x4840
 8. Wall 95x44x2673
- Total 8.13 m²



Neviso 6x4 44



Wall 2

GYT

5

SHEET

7

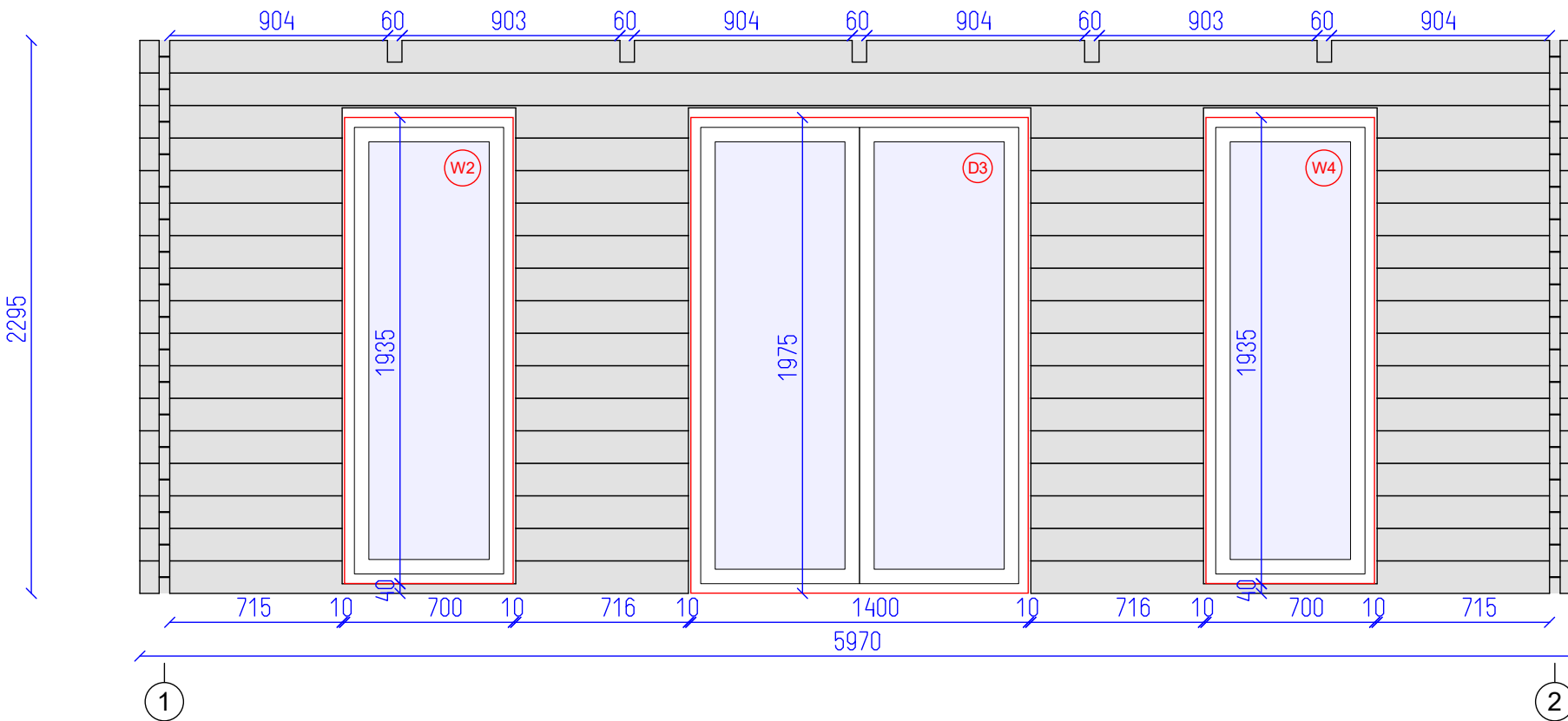
OF

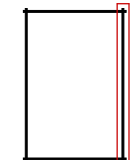
DETAILS

N	QTY
11	1
12	1
13	13
14	26
15	13
16	1
9	1
10	1
17	5

LIST OF ELEMENTS

- 11. Wall 135x44x2275
- 12. Wall 135x44x2275
- 13. Wall 135x44x839
- 14. Wall 135x44x716
- 15. Wall 135x44x839
- 16. Wall 135x44x5970
- 9. Wall 135x44x5970
- 10. Wall 135x44x5970
- 17. Roof beam 140x70x4847
- Total 11.88 m²

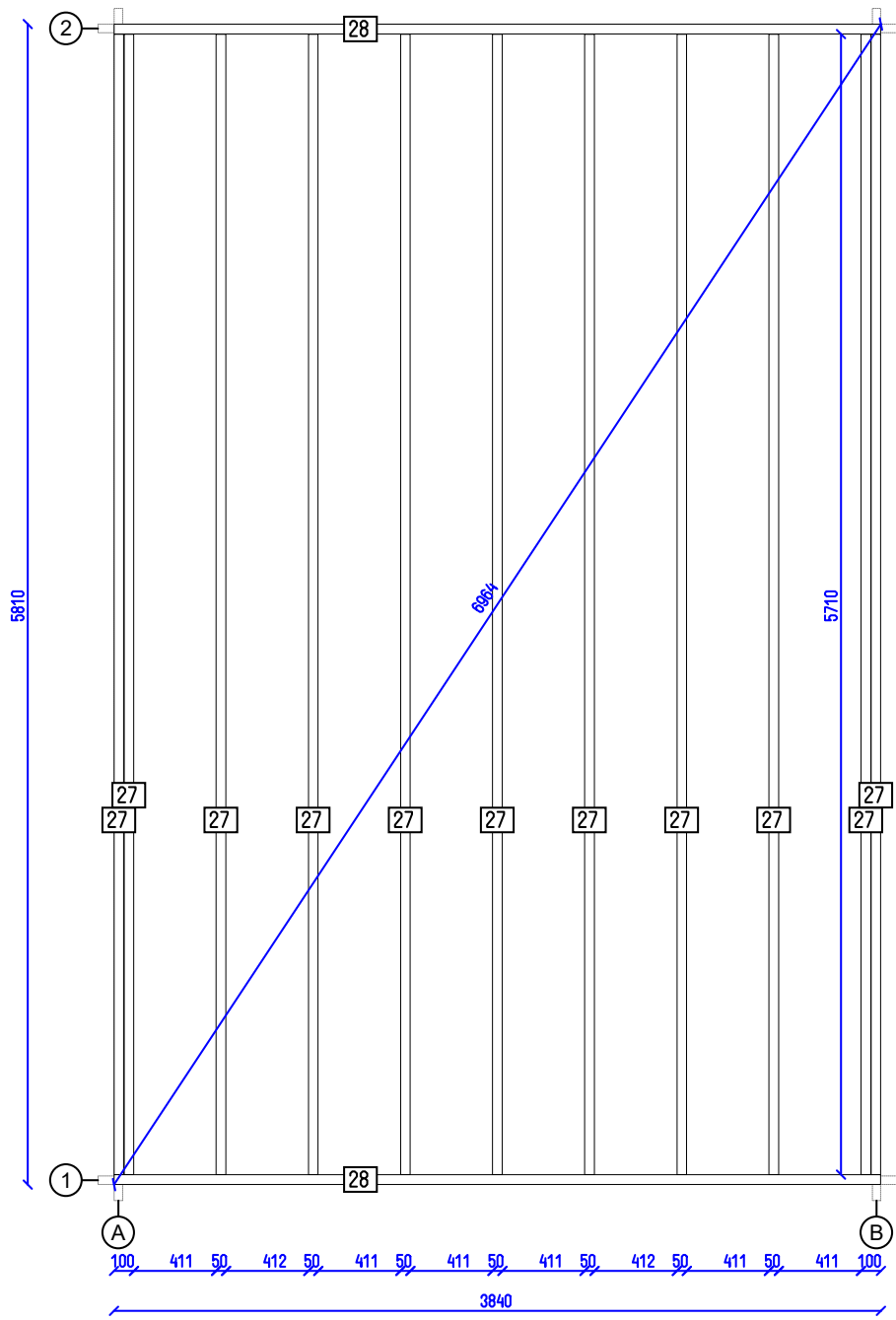




Nevosó 6x4 44

Wall B	GYT	6	7
		SHEET	OF





Nevosó 6x4 44

Base plan

GYT

7

SHEET

7

OF