

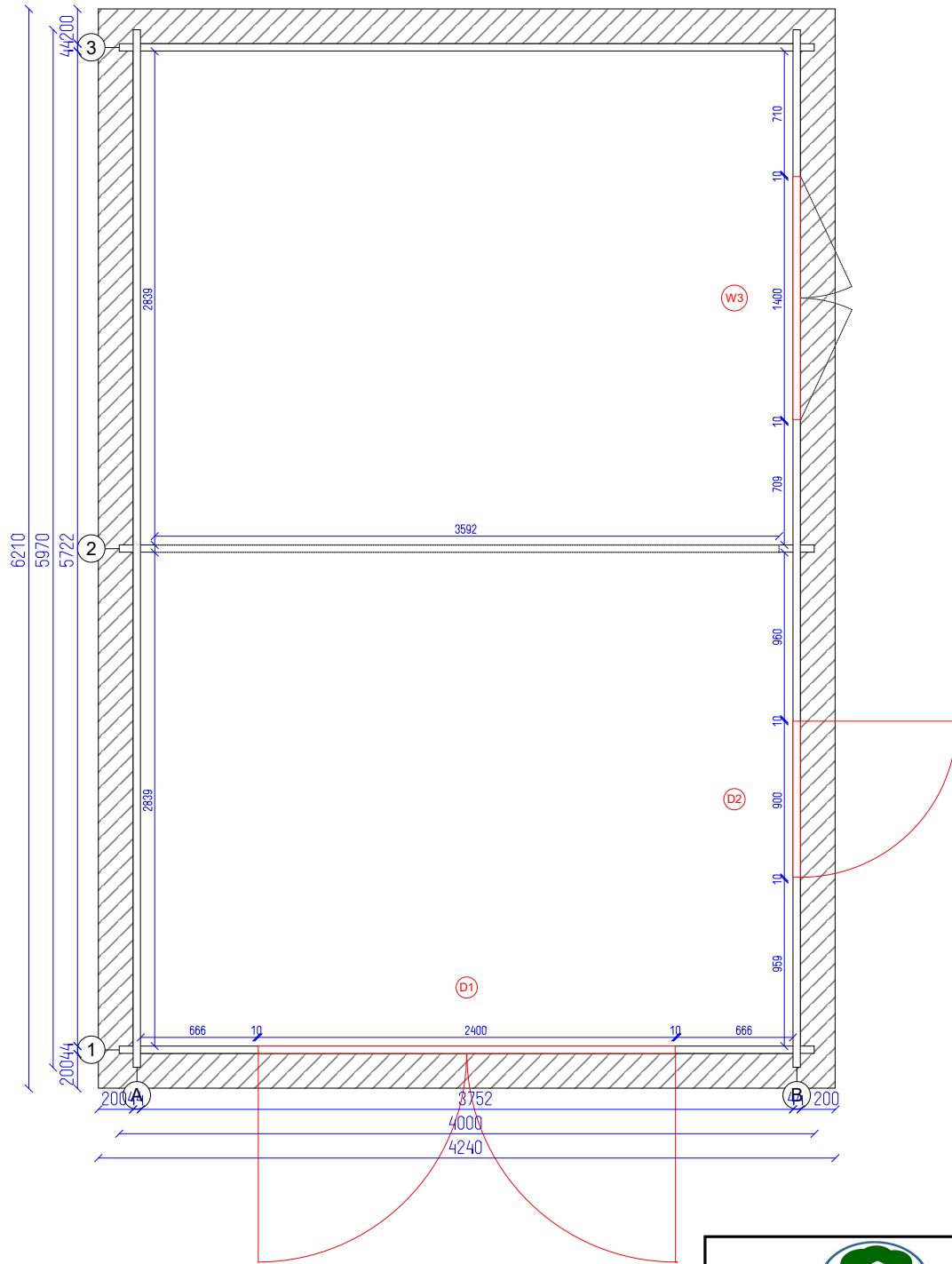
Wooden 4x6 44

Tikr.

Dare
LUK

1
SHEET

8
OF



Wooden 4x6 44

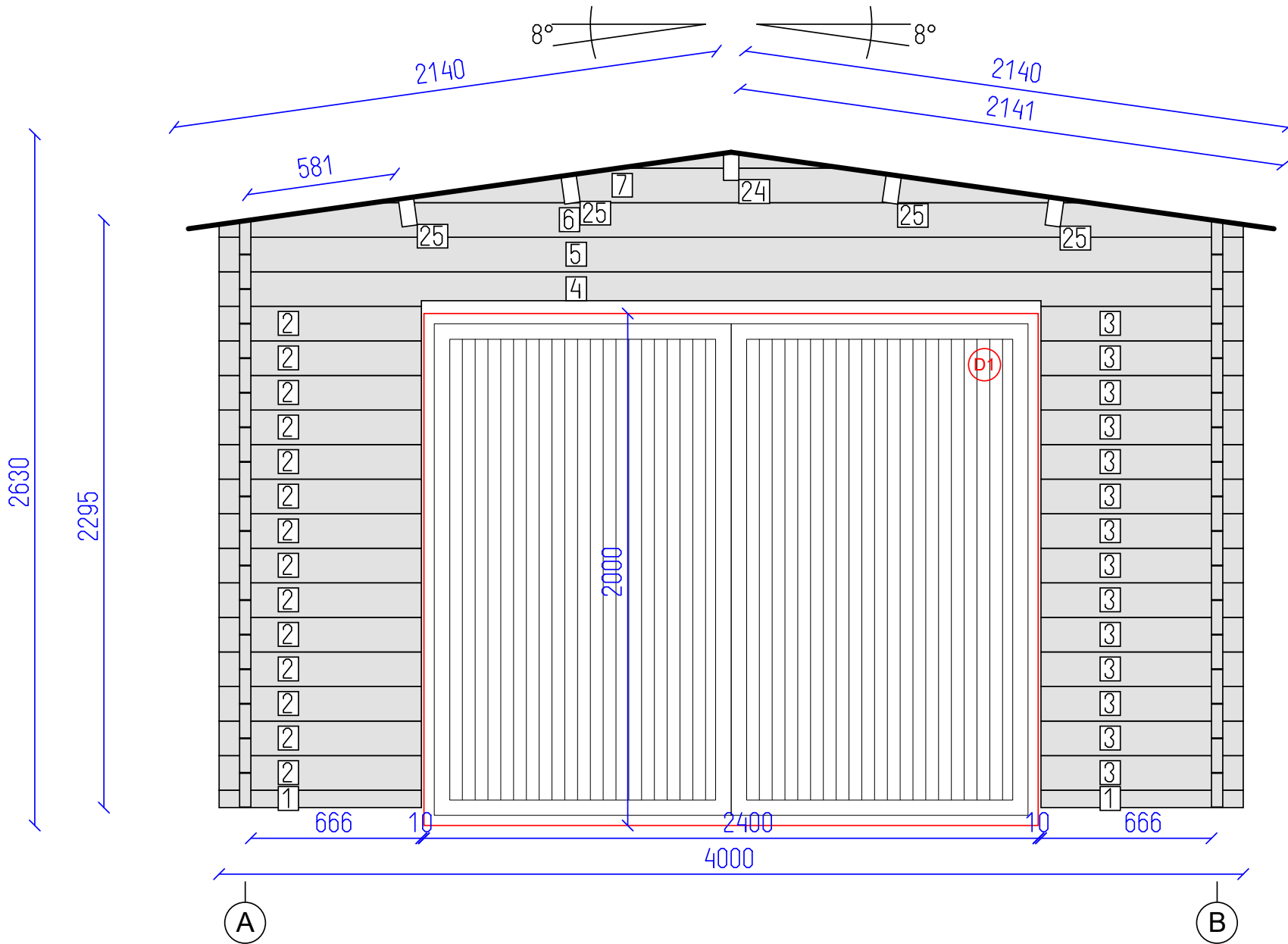
Ground plan

Tikr. ---

Dare LUK

2 SHEET

8 OF

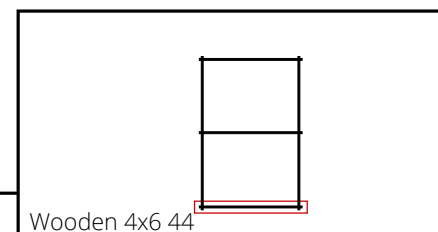


DETAILS

N	QTY
1	2
2	14
3	14
4	1
5	1
6	1
7	1
24	1
25	4

LIST OF ELEMENTS

- 1. Wall 68x44x790
 - 2. Wall 135x44x790
 - 3. Wall 135x44x790
 - 4. Wall 135x44x4000
 - 5. Wall 135x44x4000
 - 6. Wall 135x44x4000
 - 7. Wall 135x44x2794
 - 24. Roof beam 140x70x3383
 - 25. Roof beam 140x70x3383
- Total 7.46 m²



Wooden 4x6 44

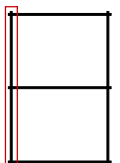
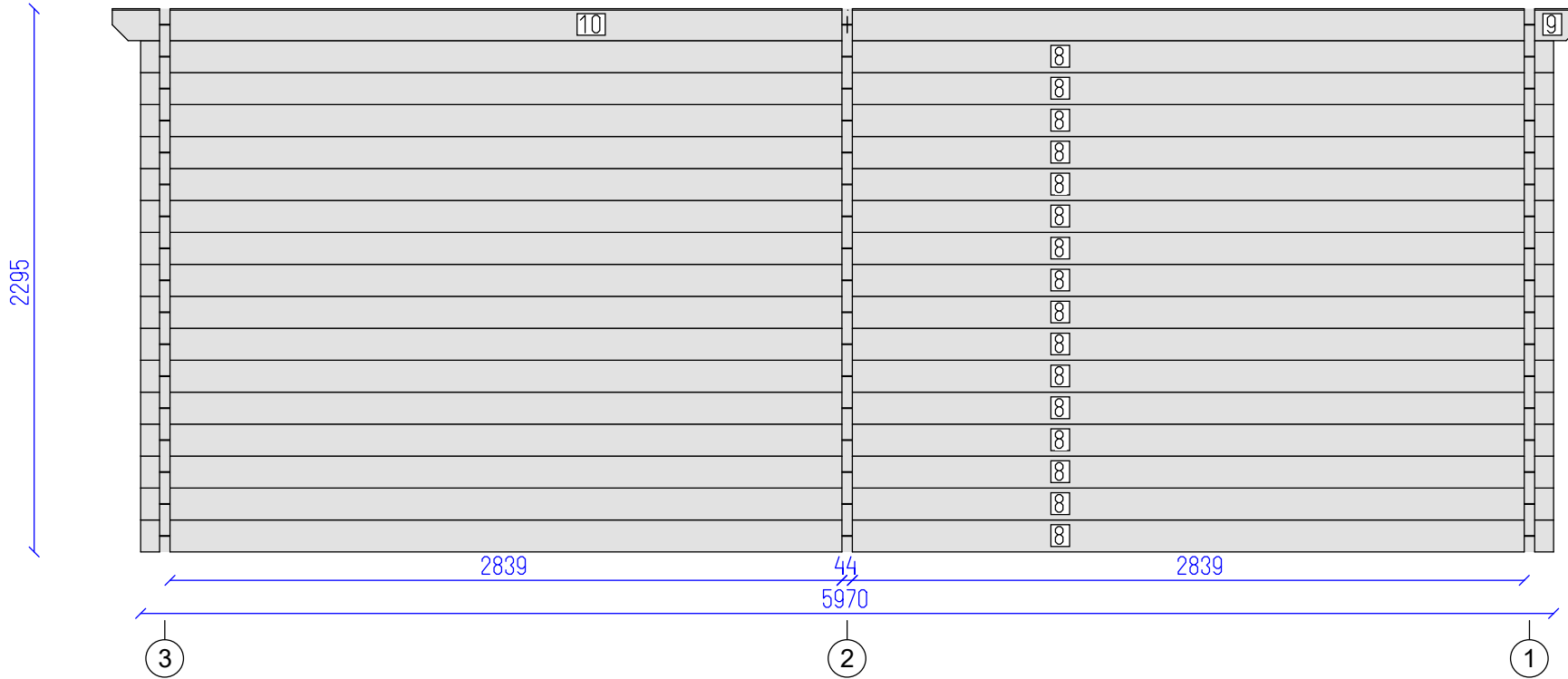


DETAILS

N	QTY
8	16
9	1
10	1

LIST OF ELEMENTS

8. Wall 135x44x5970
 9. Wall 135x44x3105
 10. Wall 135x44x3105
 Total 13.73 m²



Wooden 4x6 44

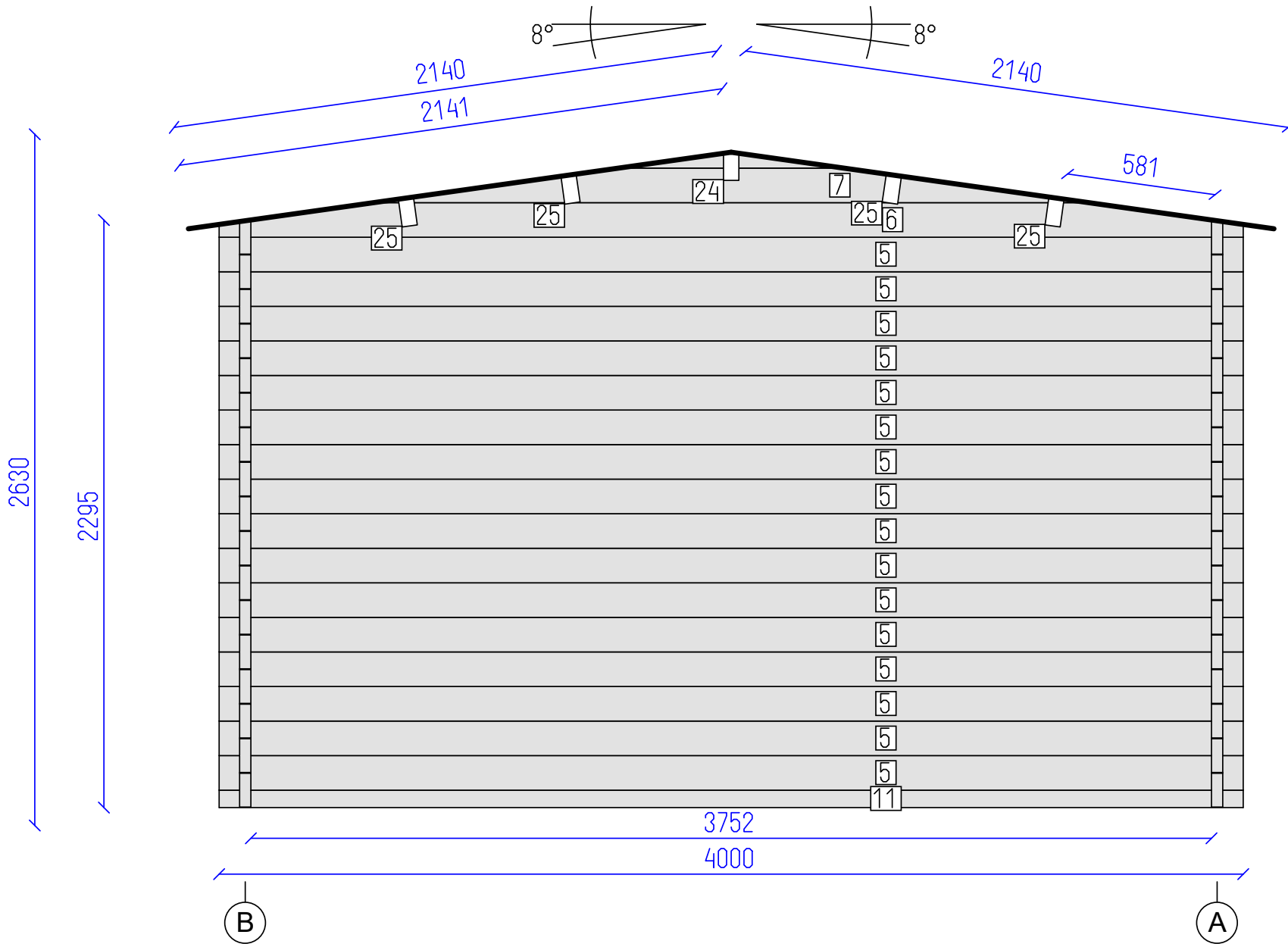
Wall A

Tikr.

Dare
LUK

4
SHEET

8
OF

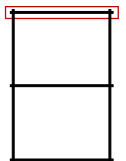


DETAILS

N	QTY
11	1
5	16
6	1
7	1
24	1
25	4

LIST OF ELEMENTS

- 11. Wall 68x44x4000
 - 5. Wall 135x44x4000
 - 6. Wall 135x44x4000
 - 7. Wall 135x44x2794
 - 24. Roof beam 140x70x3383
 - 25. Roof beam 140x70x3383
- Total 12.20 m²



Wooden 4x6 44

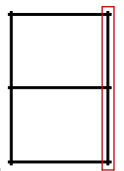
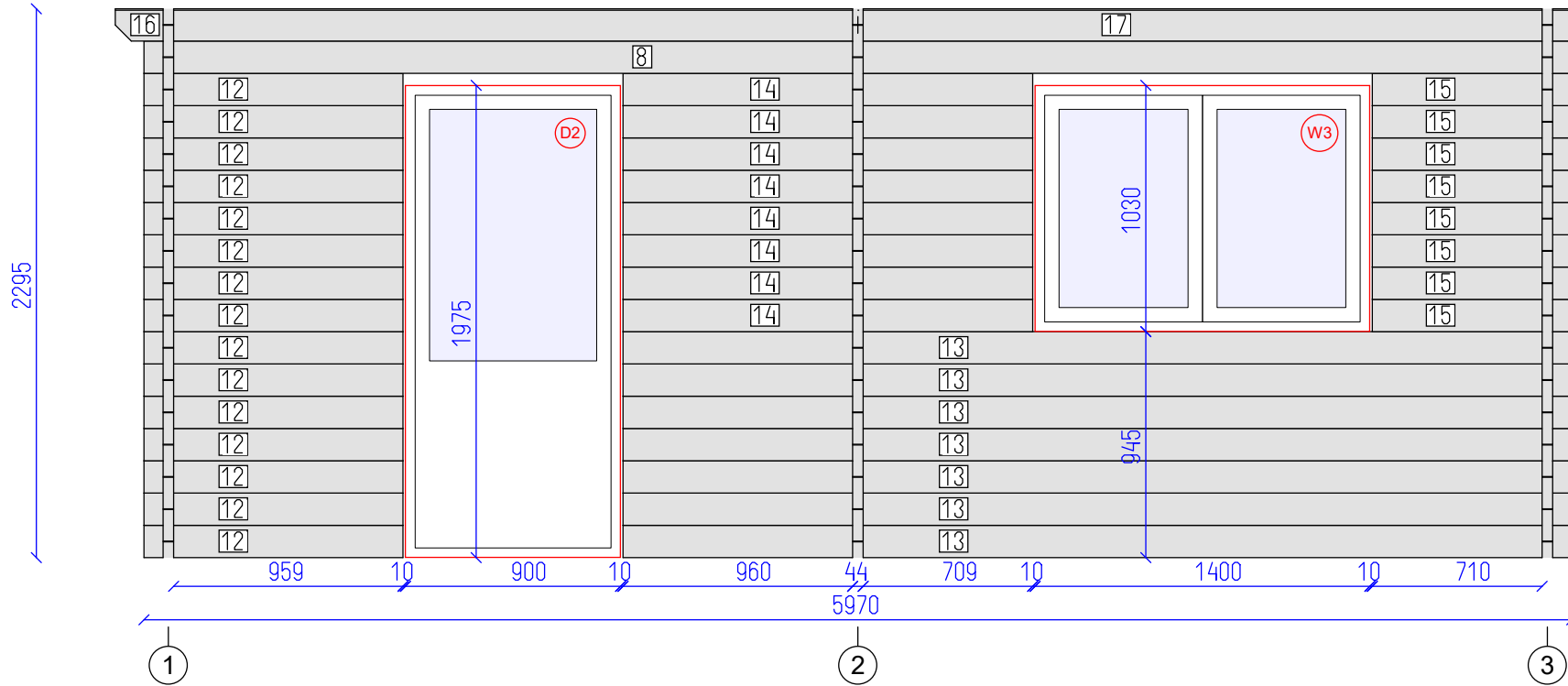


DETAILS

N	QTY
12	15
13	7
14	8
15	8
8	1
16	1
17	1

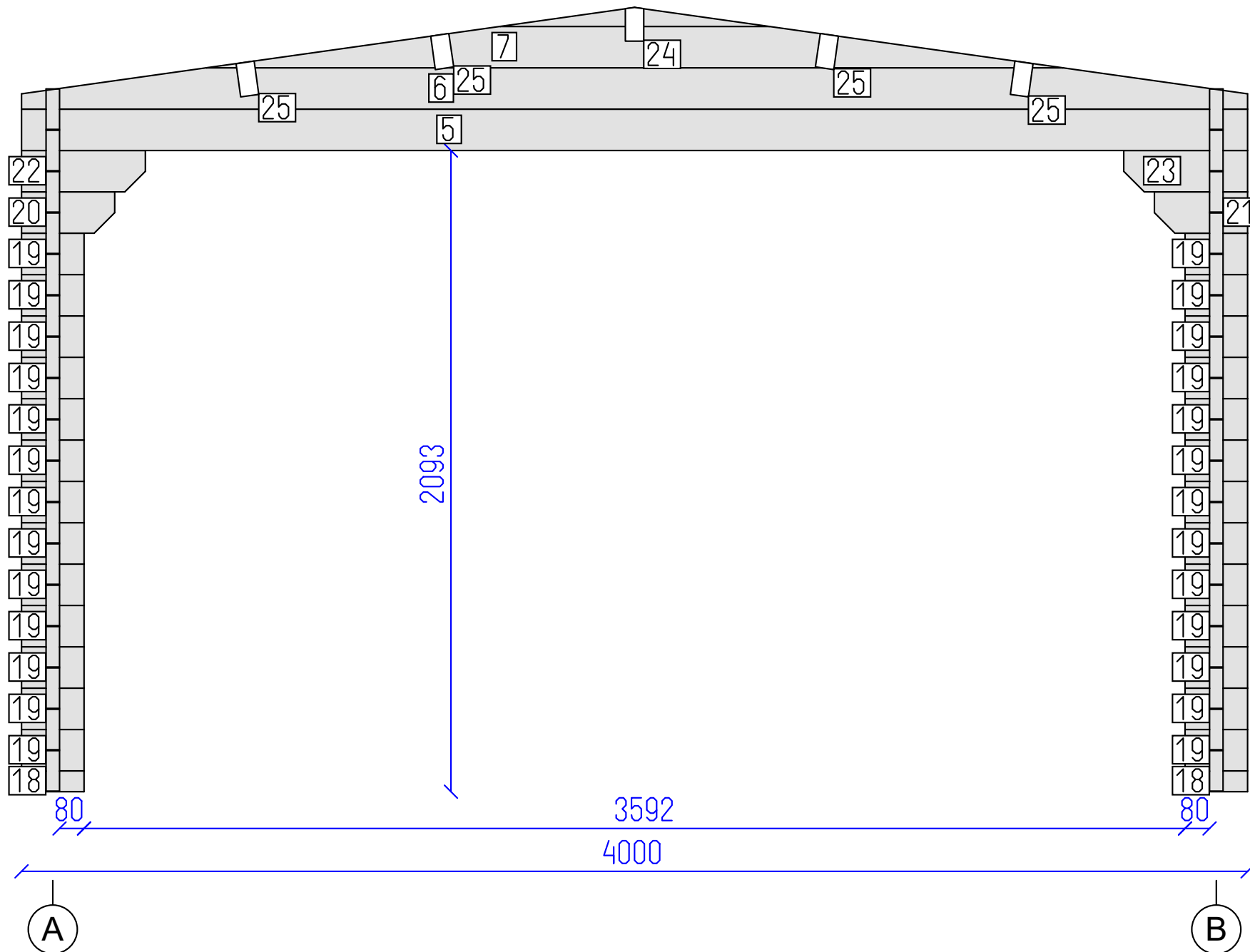
LIST OF ELEMENTS

- 12. Wall 135x44x1083
- 13. Wall 135x44x3967
- 14. Wall 135x44x1713
- 15. Wall 135x44x834
- 8. Wall 135x44x5970
- 16. Wall 135x44x3105
- 17. Wall 135x44x3105
- Total 10.34 m²



Wooden 4x6 44





DETAILS

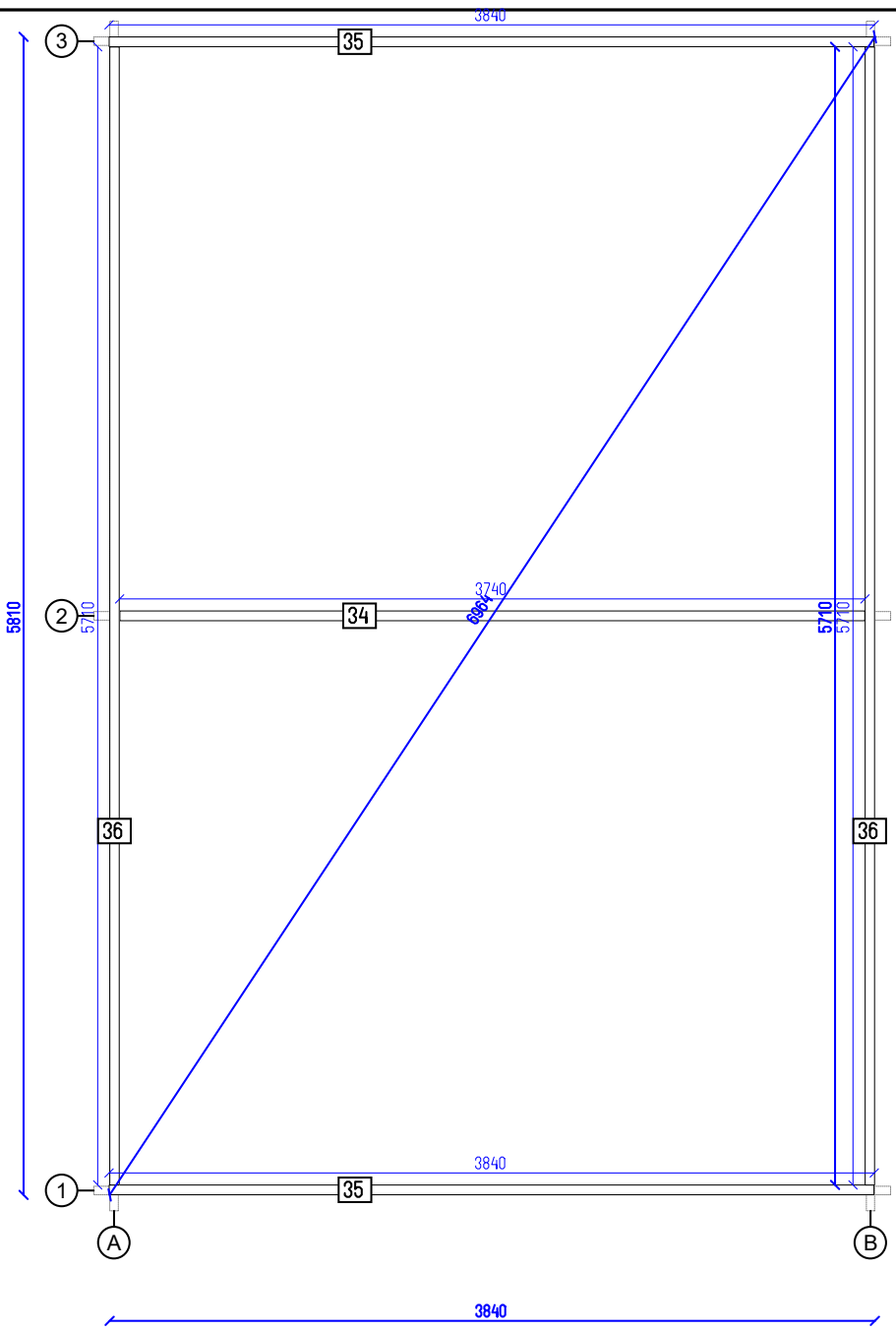
N	QTY
18	2
19	26
20	1
21	1
22	1
23	1
5	1
6	1
7	1
24	1
25	4

- LIST OF ELEMENTS
- 18. Wall 68x44x204
 - 19. Wall 135x44x204
 - 20. Wall 135x44x304
 - 21. Wall 135x44x304
 - 22. Wall 135x44x404
 - 23. Wall 135x44x404
 - 5. Wall 135x44x4000
 - 6. Wall 135x44x4000
 - 7. Wall 135x44x2794
 - 24. Roof beam 140x70x3383
 - 25. Roof beam 140x70x3383
- Total 4.76 m²

Wooden 4x6 44

Wall 2	Tikr. ---	Dare LUK	7 SHEET	8 OF
--------	-----------	----------	---------	------





Wooden 4x6 44

Flr. bearers pl.

Tikr.

Dare
LUK

8
SHEET

8
OF