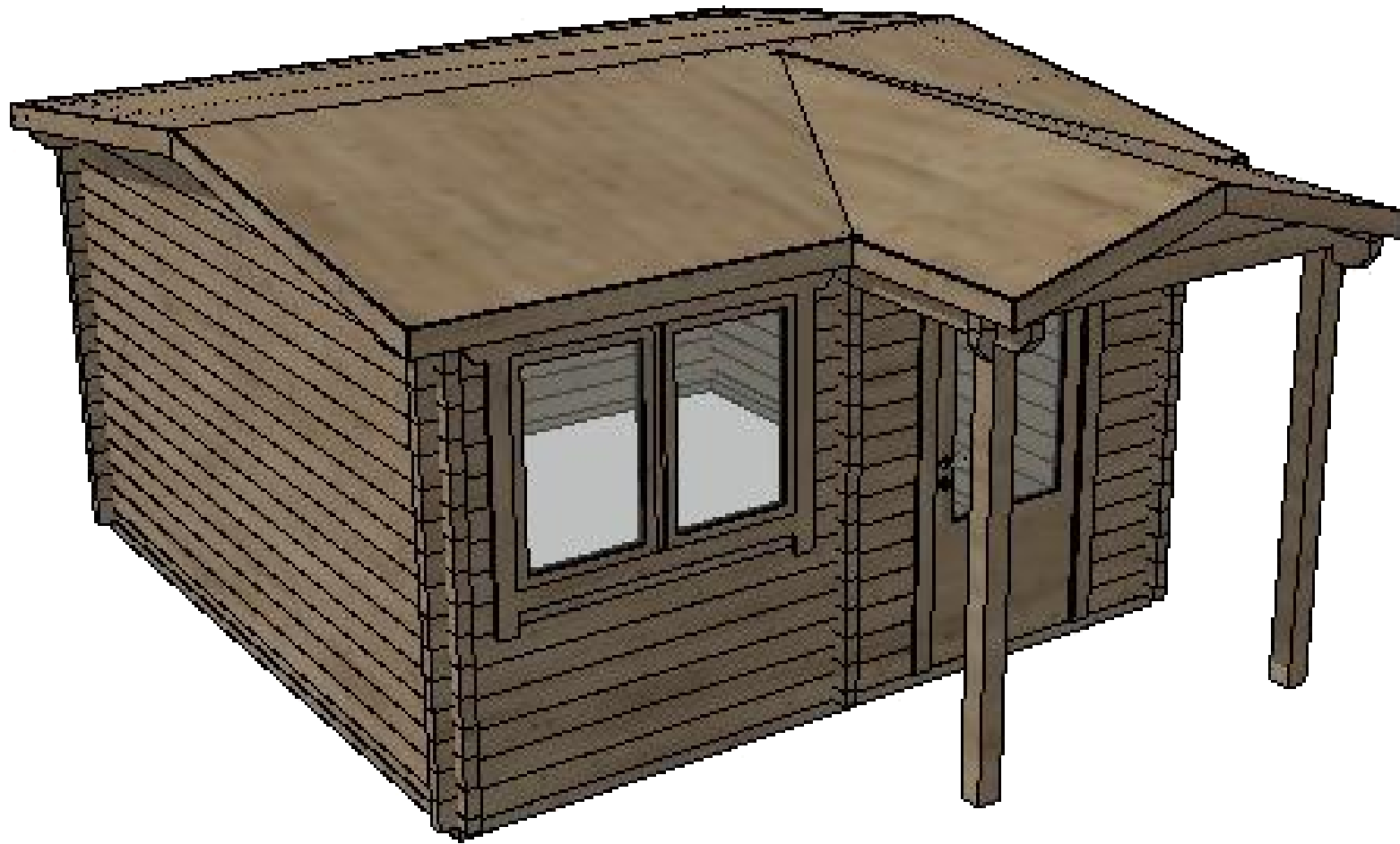


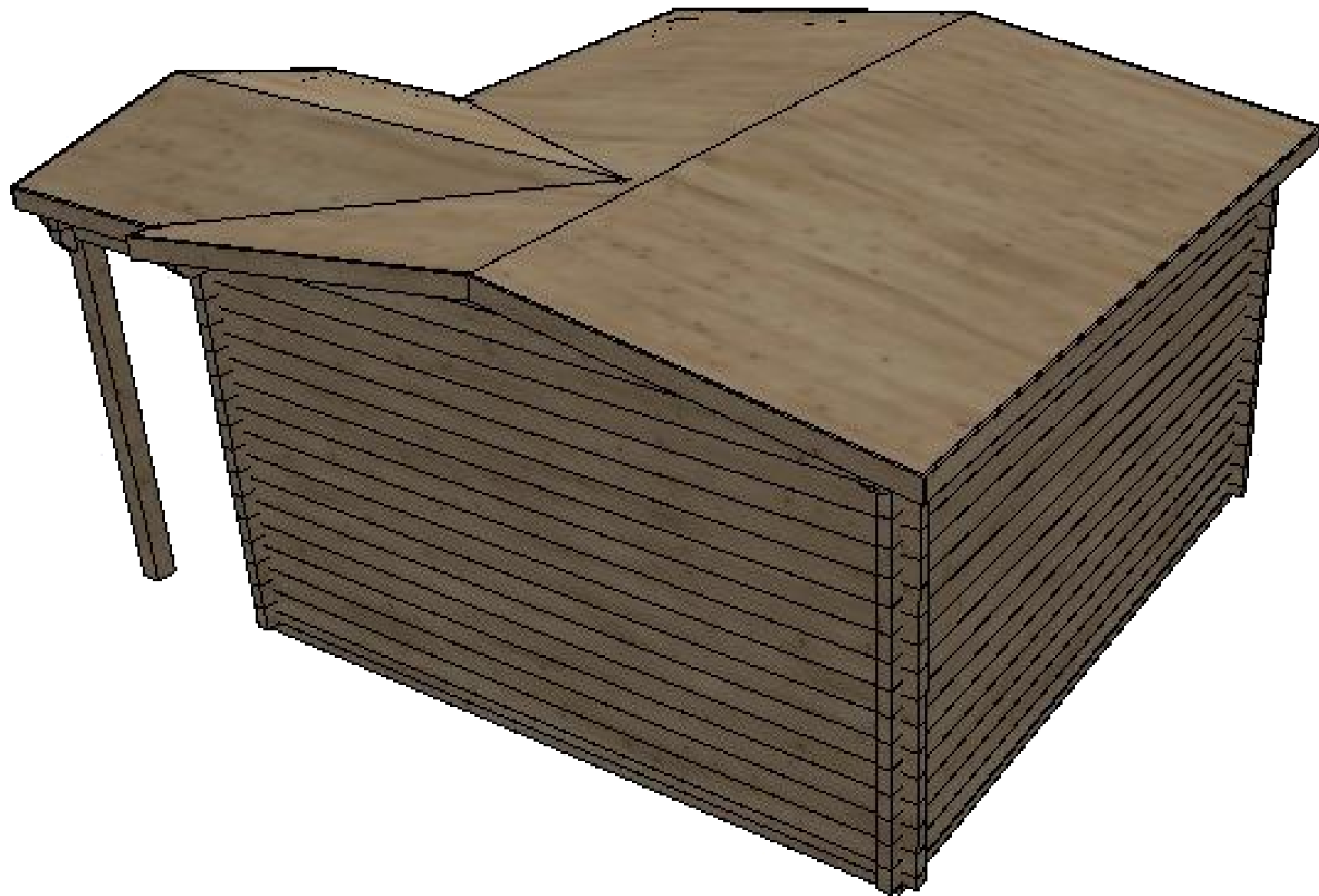
Hankins 68 TC693 DWG

Tikr. MAR	Dare AND	1 SHEET	10 OF
--------------	-------------	------------	----------



Hankins 68 TC693 DWG

Tikr. MAR	Dare AND	2 SHEET	10 OF
--------------	-------------	------------	----------



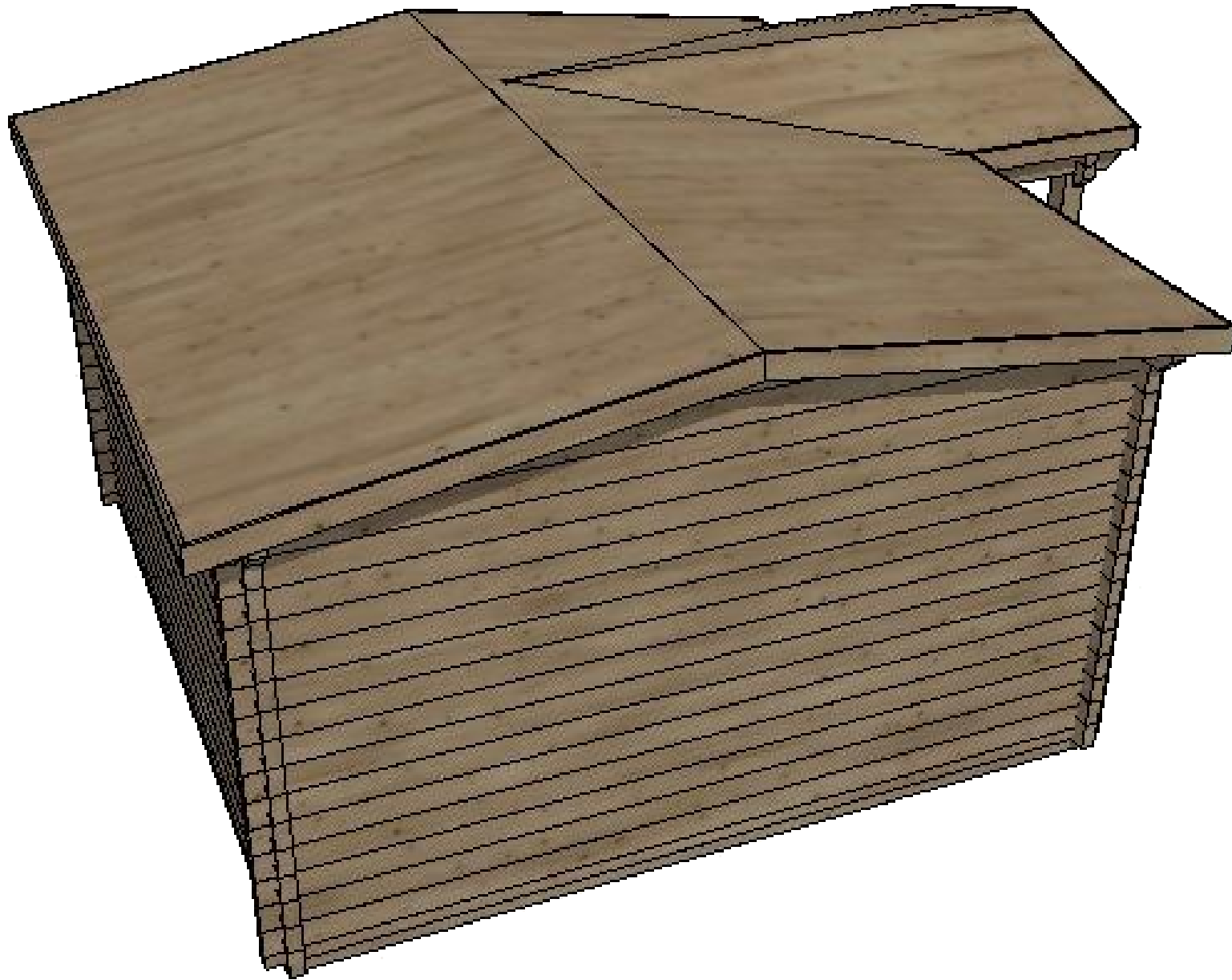
Hankins 68 TC693 DWG

Tikr.
MAR

Dare
AND

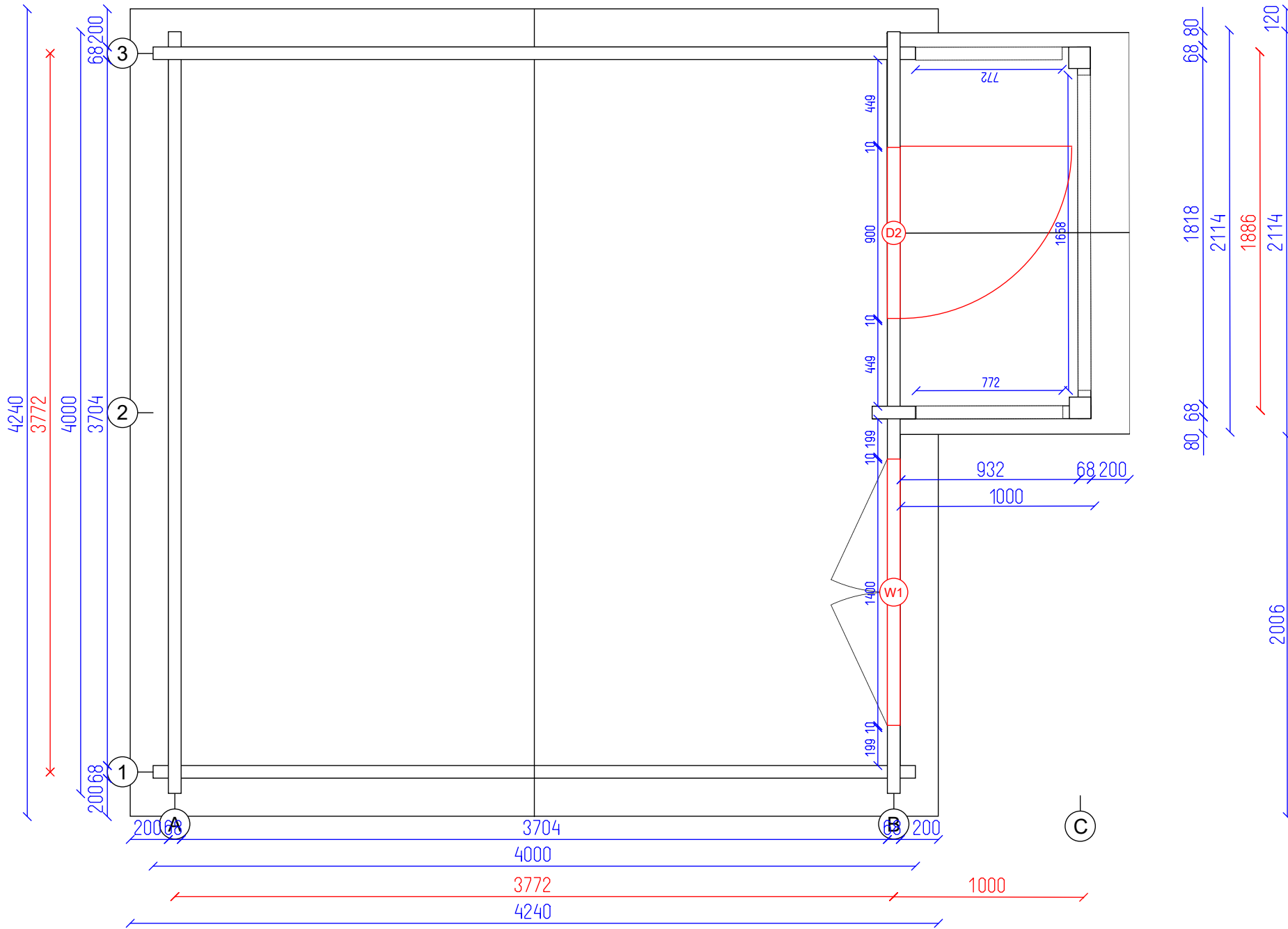
3
SHEET

10
OF



Hankins 68 TC693 DWG

Tikr. MAR	Dare AND	4 SHEET	10 OF
--------------	-------------	------------	----------



Hankins 68 TC693 DWG

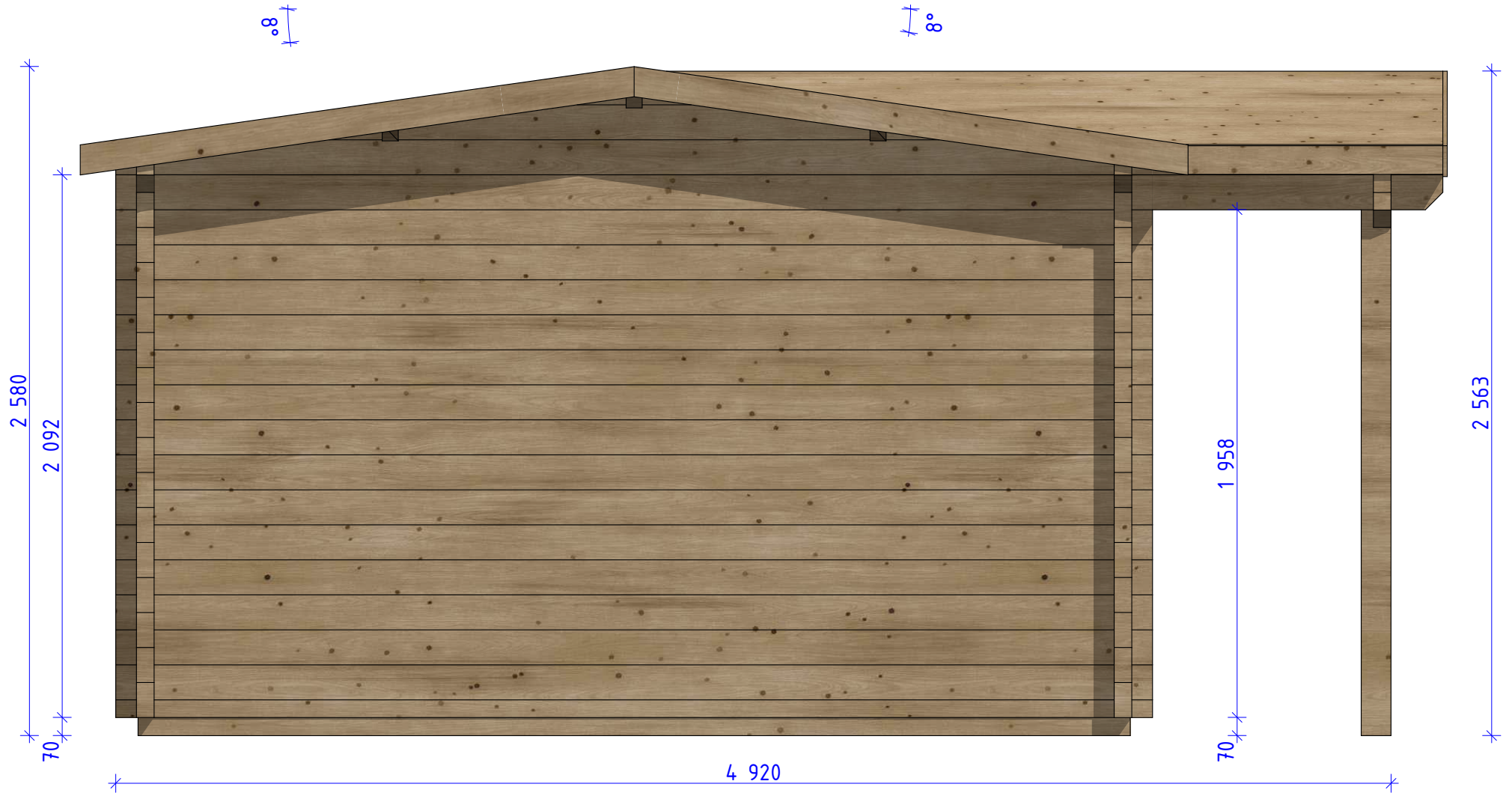
Ground plan

Tikr. MAR

Dare AND

5 SHEET

10 OF



A

B

C



Hankins 68 TC693 DWG

Wall 1

Tikr.
MAR

Dare
AND

6
SHEET

10
OF

2 580
2 092
70

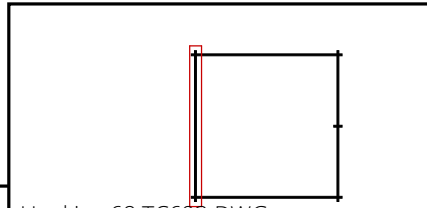


4 000

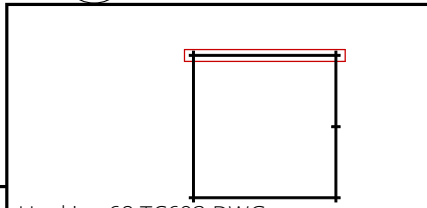
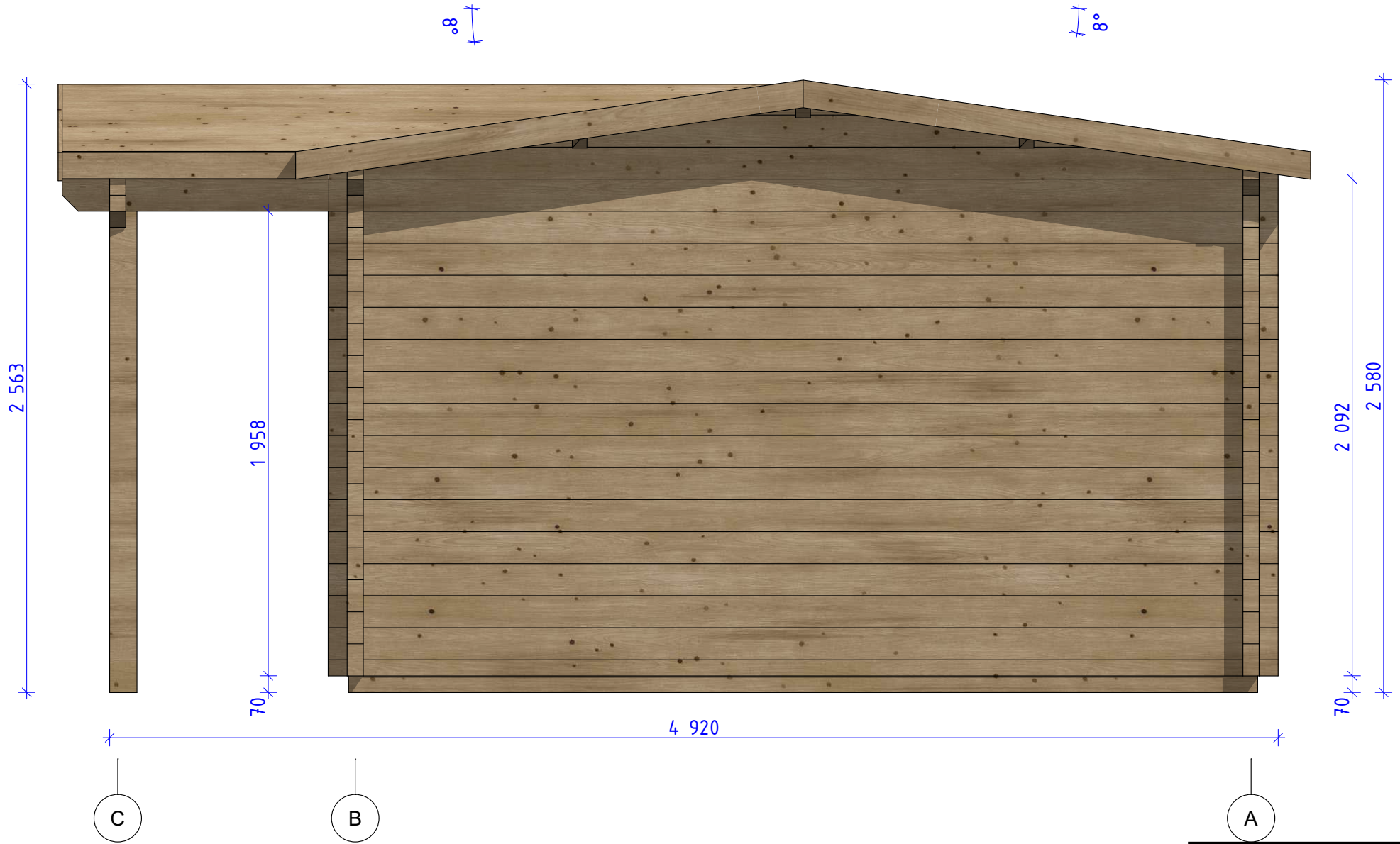
3

2

1



Hankins 68 TC693 DWG



Hankins 68 TC693 DWG

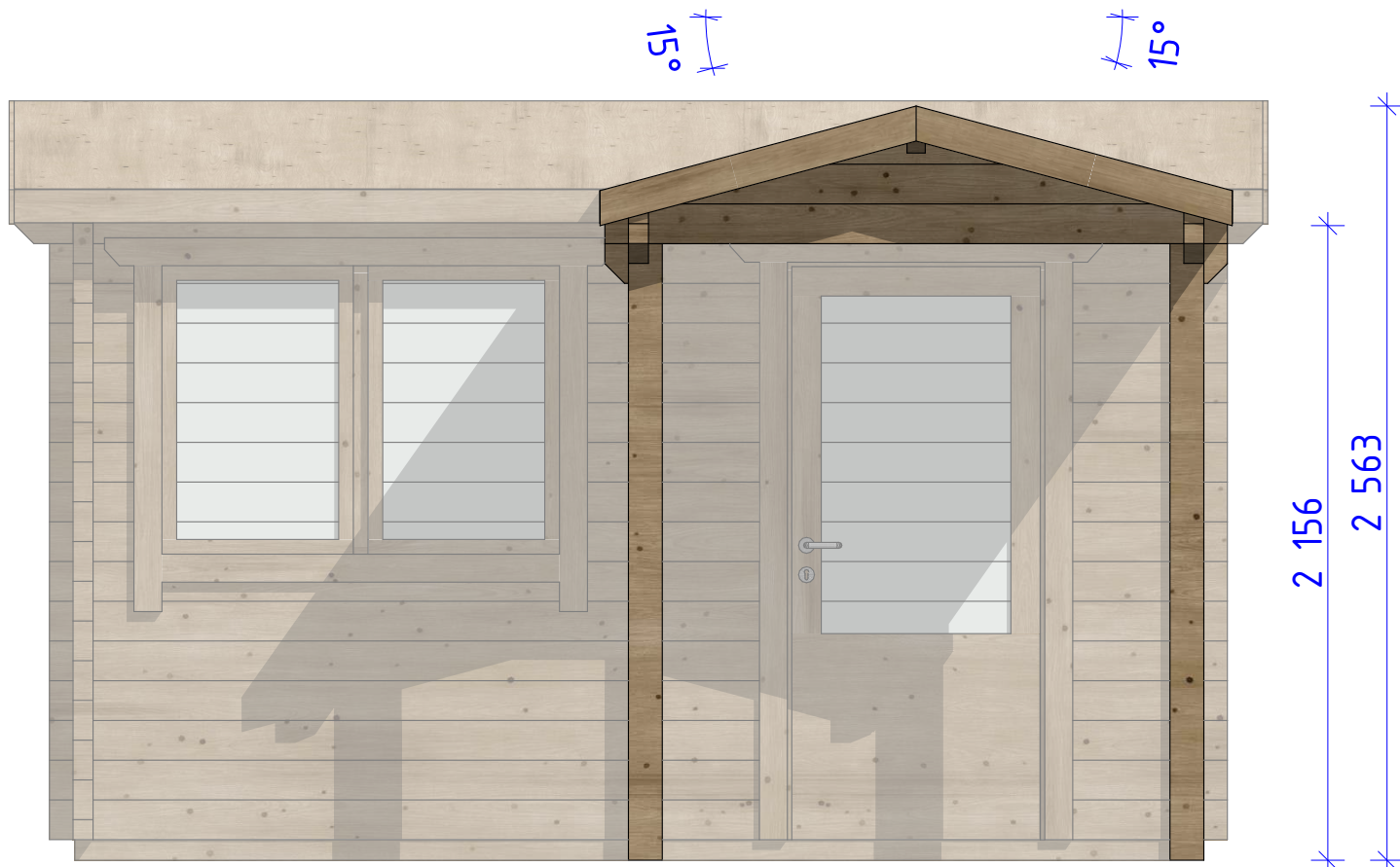
Wall 3

Tikr.
MAR

Dare
AND

8
SHEET

10
OF



15°

15°

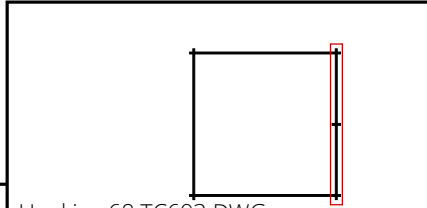
2 156
2 563

1 954

1

2

3



Hankins 68 TC693 DWG

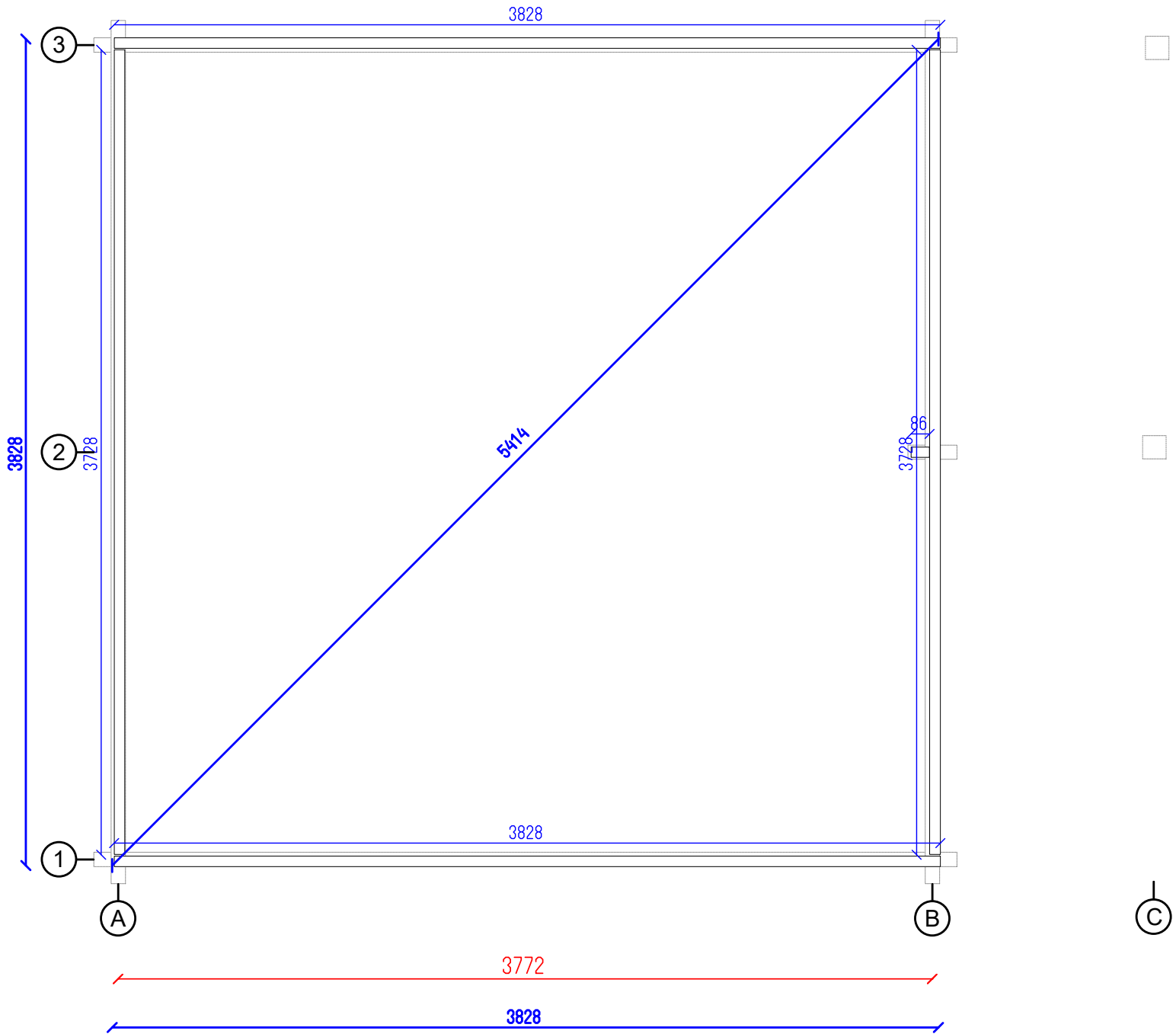
Wall B

Tikr.
MAR

Dare
AND

9
SHEET

10
OF



Hankins 68 TC693 DWG

Flr. bearers pl.

Tikr. MAR

Dare AND

10 SHEET

10 OF